



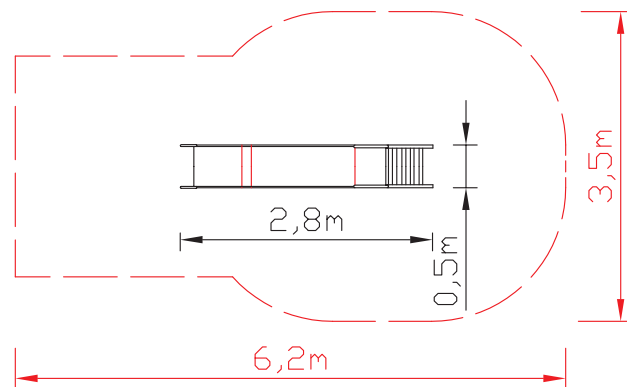
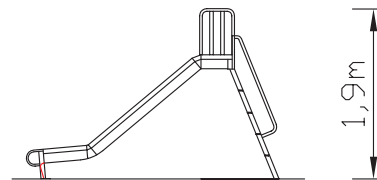


ref. 252

TRANSFORMADOS  
**DUMYPARK**

-  EN-1176
-  3-8
-  120 cm
-  18,0 m<sup>2</sup>
-  53 kg
-  Ok
- 



Printed in  100%

