

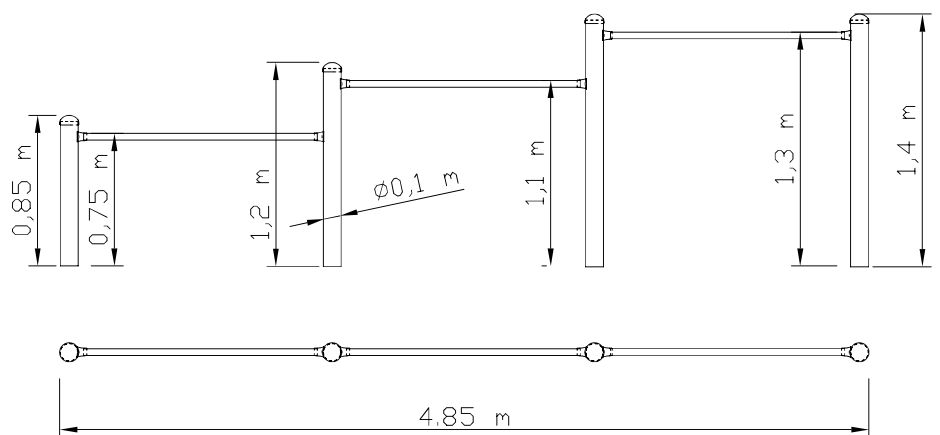
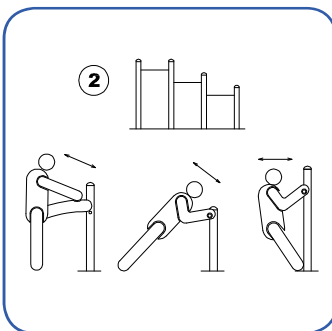


ref. 200502

TRANSFORMADOS
DUMYPARK

-  +16
-  57 kg
-  0,09 m³
-  Ok



Printed in  100%

